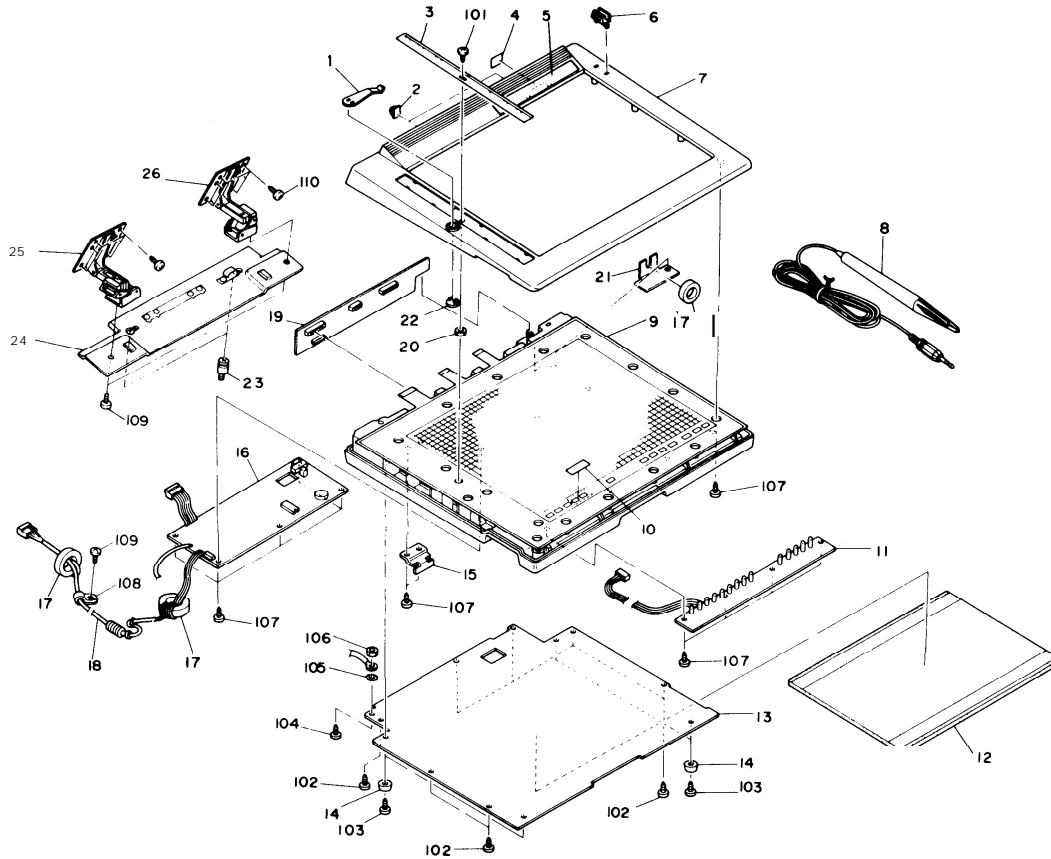


RE-11
(A906)



Index No.	Part No.	Description	Q'ty Per Assembly
*	A906 8601	Operating Instructions - English	1
*	A906 8602	Operating Instructions - German	1
*	A906 8603	Operating Instructions - French	1
*	A906 8604	Operating Instructions - Italian	1
*	A906 8605	Operating Instructions - Spanish	1
*	A906 4226	Multi-Lingual Decal - Europe	1
*	A906 8610	Installation Procedure - 5 Languages	1
*	A906 8611	Installation Procedure - English	1
1	A906 1264	Original Holder	1
2	A908 1304	Clamp	2
3	A906 1273	Scale - LT	1
3	A906 1274	Scale - A3/A4	3
L	A906 1252	Decal - Stylus	1
5	A906 1503	Operation Decal - English	1
5	A906 1504	Operation Decal - Europe	1
6	A906 1261	Stylus Holder	1
7	A906 1270	Upper Cover	1
8	A906 5105	stylus	1
8	A906 5106	Stylus - Europe	1
9	A906 1320	Frame - LT	1
9	A906 1330	Frame - A3/A4	1
10	A906 1280	Cover Plate - FT4480	1
11	A906 5100	Indicator Board	1
12	A908 1451	Platen Cover	1
13	A906 1350	Bottom Cover	1
14	A906 1351	Rubber Foot	4
15	A906 1301	Harness Supporter	1
16	A906 5101	Main Board - LT	1
16	A906 5109	Main Board - A3/A4	1
17	A906 5104	Core Ring	1
18	A906 5103	Harness - 115V	1
18	A906 5108	Harness - 220/240V	1
19	A906 5102	Multiplexer Board	1
20	A906 1355	Hexagon Nut - M3	1
21	A906 5110	Lock Plate - Europe	1

Index No.	Part No.	Description	Q'ty Per Assembly
22	A906 1265	Support - Original Holder	1
23	AA14 3026	Platen Cover Stud - FT5560	1
23	.5215 1667	Platen Cover Stud - FT4480	1
24	A908 1660	Platen Cover Hinge Bracket	1
25	A908 1302	Left Hinge	1
26	A908 1303	Right Hinge	1
101	0971 3006A	Polycarbonate Screw - M3x6	
101	0970 3006A	X/X MB1	
102	0413 0102W	Tapping Screw - M3x10	
103	0413 0162B	Tapping Screw - M3x16	
104	0313 0080W	Philips Pan Head Screw - M3x8	
105	0705 0030B	Toothed Washer - M3	
106	0710 0030B	Hexagon Nut - M3	
107	0413 0102B	Tapping Screw - M3x10	
108	1105 0016	Nylon Clip - 4N	
109	0314 0080W	Philips Pan Head Screw - M4x8	
110	0414 0122W	Tapping Screw - M4x12	